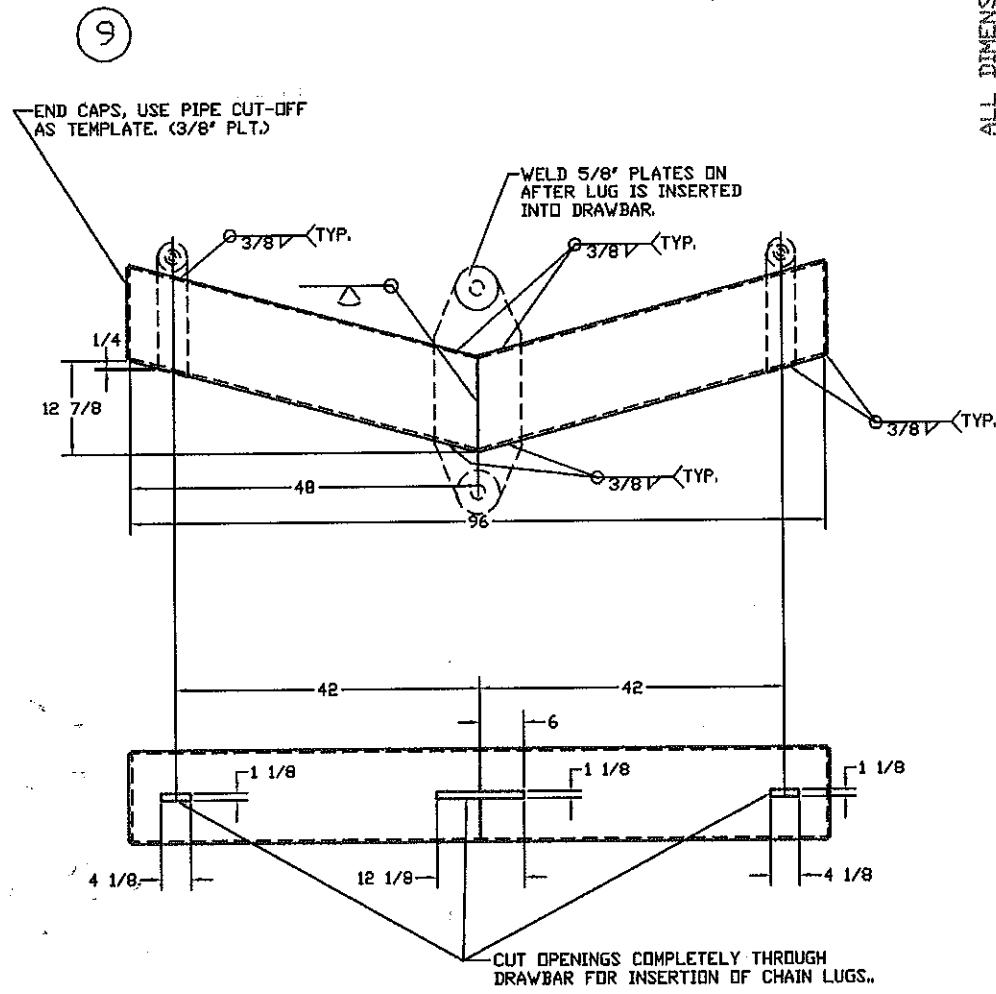


NO.	REQ'D.	DESCRIPTION	MAT'L.
1	2	12" PIPE X 3/8" WALL X 53 1/8" LG.	STL.
2	6	CHAIN SWIVELS, DRWG. #T-B181	STL.
3	6	4 LINK LENGTHS, 2" CHAIN	STL.
4	24	2" H.R. ROD STOCK X 24" LG.	STL.
5	1	1" PLT. X 12 X 34	STL.
6	2	1" PLT. X 4 X 18	STL.
7	4	5/8" PLT. X 6 X 6	STL.
8	4	5/8" PLT. X 4 X 4	STL.
9	2	3/8" PLT. X 12 1/2 X 12 1/2 (H.R.)	STL.

*Need min. 3000 lbs of chain \$500-\$750*

ALL DIMENSIONS ARE IN INCHES.



WISCONSIN DEPT. OF NATURAL RESOURCES  
NEIL H. LEMAY, FORESTRY CENTER  
TOMAHAWK, WI 54487

TITLE  
CHAIN SCARIFIER ASSEMBLY

0105-01-98

ISSUE	NO.	DATE
1	1	11-18-82

SCALE NTS  
APP'D. GAEDTKE