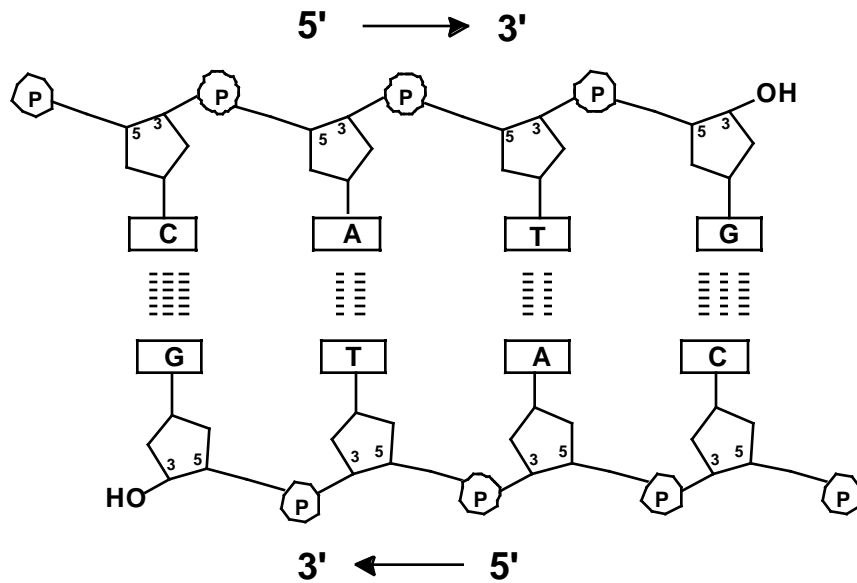
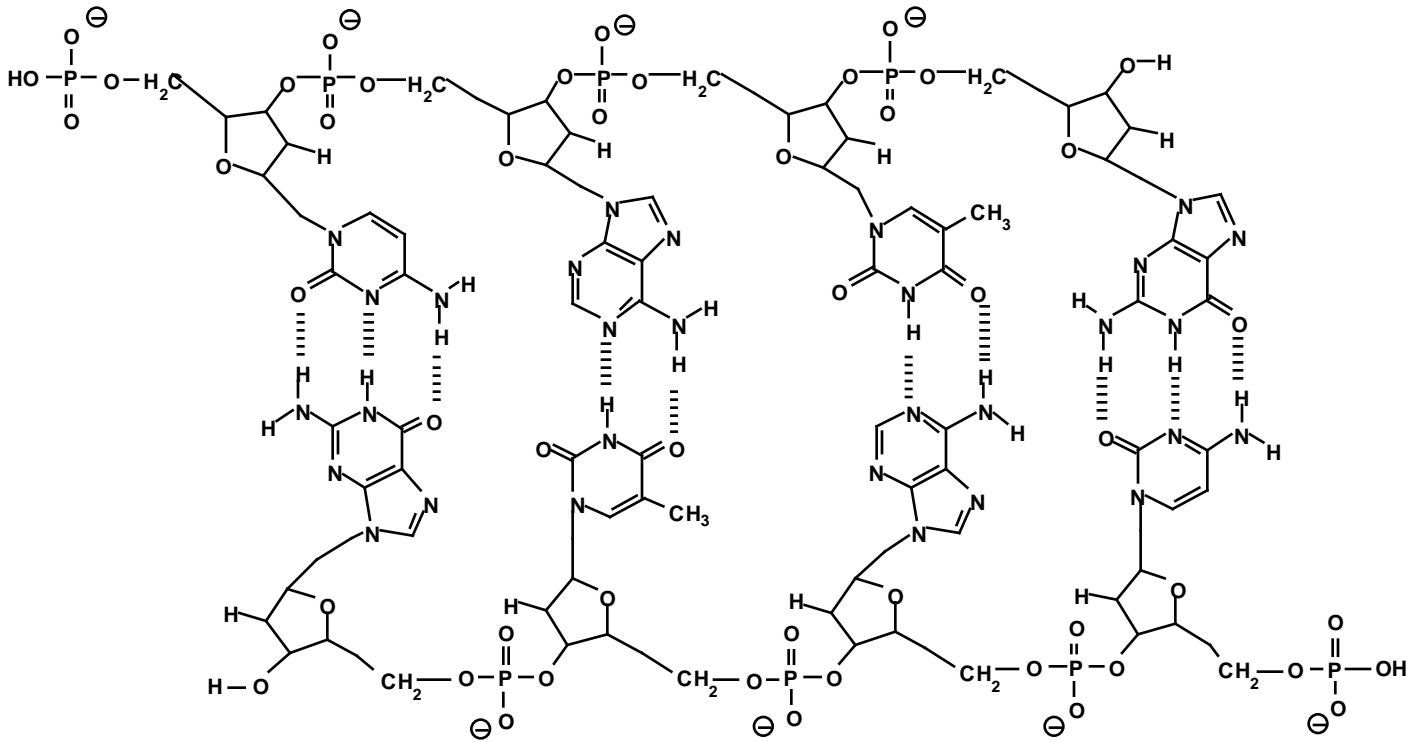


DEOXYRIBONUCLEIC ACID

DNA



pCATG
GTACp